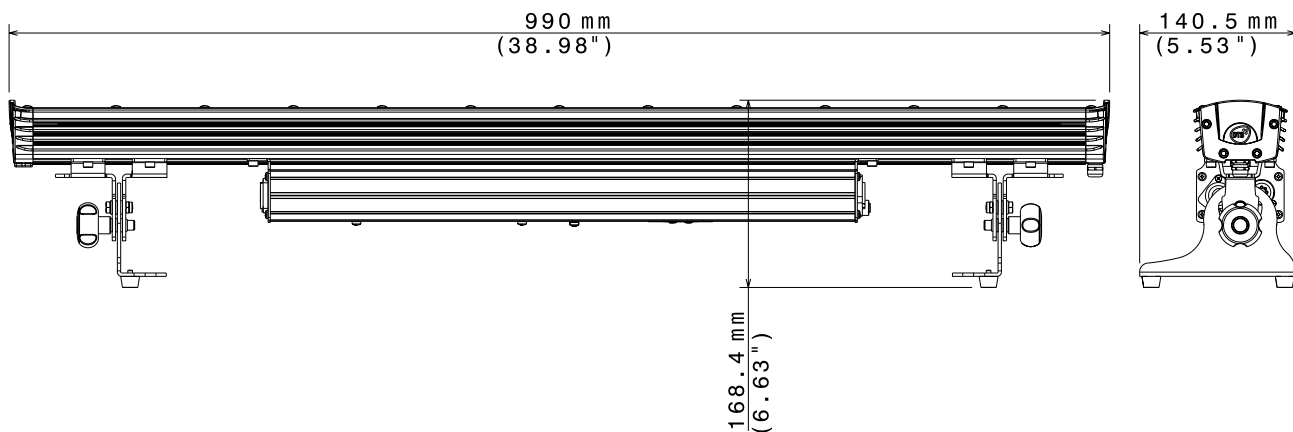




FOS 100 POWER SOLO FC

THE BRIGHT LED BAR WITH A LARGE CHOICE OF PROJECTION ANGLES AND INTEGRATED PSU

FOS POWER is a **very powerful and compact LED light bar** fitted with 24 OSTAR Full Color LEDs. FOS POWER can be used either for background lighting or for linear effects and it is available with **different beam angles** and it can be fitted with **additional filters** to further enlarge its projections range. FOS 100 POWER SOLO version is available with integrated **IP20 PSU for temporary installation** or with **IP65 PSU for permanent ones**.



- LED
- FC Full Color
- Lens Sets
- IP20
- built-in PSU
- RDM/DMX
- 10° +40°



SP LENS 10°
03.LBB015S11FC10

MF LENS 25°
I03.LBB015S11FC25

WF LENS 40°
03.LBB015S11FC40

OUTPUT

- 24 Full Color (RGBW) LEDs
- 8,864 Lumens
- LED lifespan: 50,000 hours (70% lumen output)

OPTICAL GROUP

- 3 lenses sets available: 10° / 25° / 40°
- Holographic filters available on request
- Uniform projection on surfaces

COLOR GENERATION

- 16 million colors
- Wide palette of pure uniform whites with variable linear color temperature (2700K - 8000K)

CONTROL

- DMX 512 / RDM
- 4-digit 7-segment LED display + 4 soft keys
- Internal operating system updatable via DTS dongle firmware uploader

DMX

- 10 DMX channels (default)

POWER SUPPLY

- Full-range 100-240Vac 50-60Hz
- Available with IP65 PSU for permanent installations
- Power consumption: 200 W max

CONNECTIONS

- PowerCON IN/OUT panel connectors
- XLR 5 pins IN/OUT panel connectors

OPERATING TEMPERATURE

-10° / 40° C

PHYSICAL

- IP20
- Housing: Aluminium
- Weight: 7.8 Kg (17.2 lbs)
- Finishing: Black

SHIPPING

- Packaging: Carton box
- Box size: 1060 x 200 x 200 mm (41.7" x 7.9" x 7.9")
- Box weight: 9 Kg (19.8 lbs)

ACCESSORIES INCLUDED

- 1 x Fit joint for joining bars inline (code 02M09519.46)
- 2 x M4 knob for fit joint (code 0511P014)
- 1 x PowerCON IN female cable connector (code 0520P014)
- 1 x PowerCON OUT female cable connector (code 0520P029)
- 1 x XLR 5 Pins female cable connector (code 0508B027)
- 1 x XLR 5 Pins male cable connector (code 0508B028)

ACCESSORIES ON REQUEST

- Lenses set Narrow 10° (code 03.LK.107.N)
- Lenses set Medium 25° (code 03.LK.108.N)
- Lenses set Wide 40° (code 03.LK.109.N)
- Barndoor and Holographic Filter holder (code 03.LA.142)
- Kit Fit joint for joining bars inline (code 03.LA.023)
- Fast-lock bracket kit (code 03.LA.024)
- Short bracket for wall installation (code 03.LA.025)
- Single-side light shield (code 02M09594.46)
- "Fast Lock" omega bracket with connection 1/4 turn (code 02K00467)
- G60 "C" Clamp - max. load 50 Kg (code 0521A004)
- Flightcase for 4 units (code 0521C039.1)
- Outdoor Extension Cable M16 Female + end-stripped 9-pole - 30 m (code 02K001257.30)
- DTS dongle firmware uploader (code 03.LA.206)

PHOTOMETRIC DATA

	mt 3 ft 9.84	mt 6 ft 19.68	mt 9 ft 29.53	mt 12 ft 39.37	mt 15 ft 49.21
BEAM ANGLE 10°					
lux center (lx)	7028	1757	781	439	281
foot candles (fc)	653	163	73	41	26
diameter (cm)	52	105	157	210	262
diameter (ft)	1.72	3.44	5.17	6.89	8.61
	mt 3 ft 9.84	mt 6 ft 19.68	mt 9 ft 29.53	mt 12 ft 39.37	mt 15 ft 49.21
BEAM ANGLE 25°					
lux center (lx)	2667	667	296	167	107
foot candles (fc)	248	62	28	15	10
diameter (cm)	133	266	399	532	665
diameter (ft)	4.36	8.73	13.09	17.46	21.82
	mt 3 ft 9.84	mt 6 ft 19.68	mt 9 ft 29.53	mt 12 ft 39.37	mt 15 ft 49.21
BEAM ANGLE 40°					
lux center (lx)	1806	451	201	113	72
foot candles (fc)	168	42	19	10	7
diameter (cm)	218	437	655	874	1092
diameter (ft)	7.16	14.33	21.49	28.66	35.82