



DIVE 12 FC

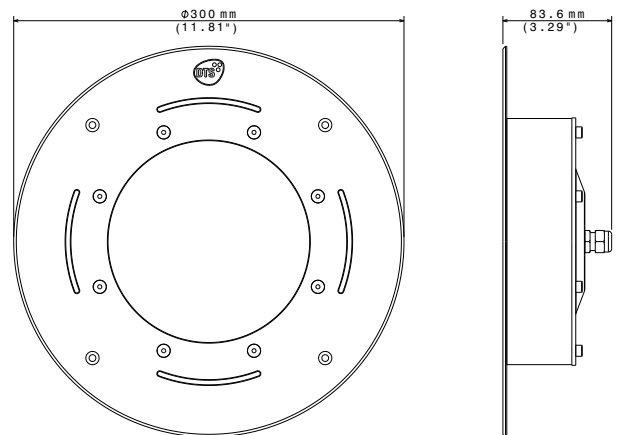
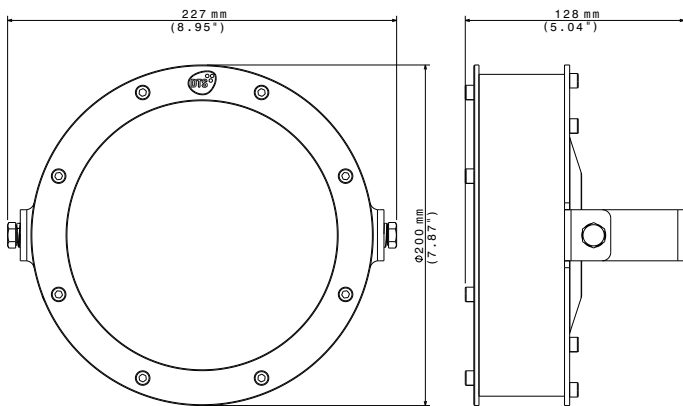
EXTRA-BRIGHT: PERFECT FOR MEDIUM TO BIG UNDERWATER APPLICATIONS

DIVE 12 FC is an IP68 underwater projector with 12 Full Color LEDs. The unit is fitted with an **adjustable bracket** or a **round flange** for recessed installation and it features a reinforced structure that makes it reliable for long-term use. The unit is available with **different optics** and it is **suitable for big or medium underwater applications** or for use outside water. The unit has been developed to work where safety regulations request **24 V DC max voltage, such as swimming pools or public areas**. The unit is powered by DRIVENET 832 POWER 24 V DC power supplies. Refer to local norms in case of underwater installation.

DIVE 12 FC



DIVE 12 R FC



UN LENS 8°
Bracket 03.LPB015E99FC08
Recessed 03.LPS015E99FC08

SP LENS 12°
Bracket 03.LPB015E99FC10
Recessed 03.LPS015E99FC10

MF LENS 27°
Bracket 03.LPB015E99FC25
Recessed 03.LPS015E99FC25

WF LENS 37°
Bracket 03.LPB015E99FC40
Recessed 03.LPS015E99FC40

OUTPUT

- 12 Full Color (RGBW) LEDs
- Lumens: 4,800 @ 700mA
- LED lifespan: 50,000 hours (70% lumen output)

OPTICAL GROUP

4 lenses sets available:
8° / 12° / 27° / 37°

COLOR GENERATION

- 16 million colors

- Wide palette of pure uniform whites with variable linear color temperature (2700K - 8000K)

POWER SUPPLY

- External PSU:
_ DRIVENET 832 POWER 24Vdc PSU (the maximum current for all outputs must be set to 1400mA)
Full range 100-240Vac 50-60 Hz
- Power consumption:
120 W max

CONNECTIONS

End-stripped 8-pole cable (5 m)

OPERATING TEMPERATURE

-20° / 40° C

PHYSICAL

- IP68 (max immersion depth: 2 m)
- IK protection degree: IK09 (only R version)
- Housing:
Bronze / 316 Stainless steel

- Weight

_ DIVE 12 FC: 6.4 Kg (14.1 lbs)
_ DIVE 12 R FC: 6.5 Kg (14.3 lbs)

SHIPPING

- Packaging: Carton box
- Box size (LxHxD):
360 x 190 x 340 mm
(14.2" x 7.5" x 13.4")
- Weight: 7 Kg (15.4 lbs)

CONNECTIONS CHART

DRIVENET 832 POWER 24Vdc	
Max 8 (1 item per output)	

ACCESSORIES ON REQUEST

- 8-pole underwater cable (code 0509C159)
- ONLY FOR DIVE 12 R FC**
- OUTERCASE Stay-in-place casting form (code 03.LA.059)

PHOTOMETRIC DATA

LEDs current 700mA

	mt 5 ft 16.40	mt 10 ft 32.81	mt 15 ft 49.21	mt 20 ft 65.62	mt 25 ft 82.02
BEAM ANGLE 8°					
lux center (lx)	5750	1438	639	359	230
foot candles (fc)	534	134	59	33	21
diameter (cm)	70	140	210	280	350
diameter (ft)	2.29	4.59	6.88	9.18	11.47
BEAM ANGLE 12°					
lux center (lx)	2168	542	241	136	87
foot candles (fc)	201	50	22	13	8
diameter (cm)	105	210	315	420	526
diameter (ft)	3.45	6.90	10.34	13.79	17.24

	mt 5 ft 16.40	mt 10 ft 32.81	mt 15 ft 49.21	mt 20 ft 65.62	mt 25 ft 82.02
BEAM ANGLE 27°					
lux center (lx)	582	146	65	36	23
foot candles (fc)	54	14	6	3	2
diameter (cm)	240	480	720	960	1200
diameter (ft)	7.88	15.75	23.63	31.51	39.38
BEAM ANGLE 37°					
lux center (lx)	410	103	46	26	16
foot candles (fc)	38	10	4	2	2
diameter (cm)	335	669	1004	1338	1673
diameter (ft)	10.98	21.95	32.93	43.91	54.89