



ALCHEMY 3 CEILING

THE NEW-GENERATION HQS LED WASH LIGHT FOR INDOOR RECESSED INSTALLATION



FEATURES



FINITURE

LED

<input type="checkbox"/>	WHITE - RAL 9003	03	FULL COLOR (RGBW)	11
<input type="checkbox"/>				
<input type="checkbox"/>				
<input type="checkbox"/>				
<input type="checkbox"/>				
<input type="checkbox"/>				
<input type="checkbox"/>				
<input type="checkbox"/>				
<input type="checkbox"/>				
<input type="checkbox"/>				

CERTIFICATIONS

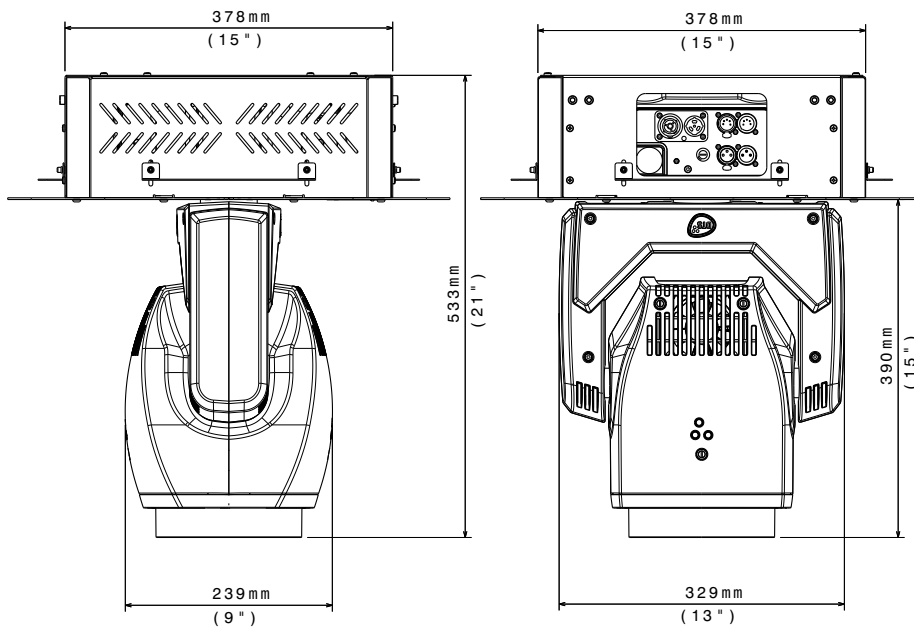


TREATMENTS

ALCHEMY 3 CEILING

03.MW011.03.T

TECHNICAL



OUTPUT

- Multi-chip LED source
- 6,600 Lumen output
- CRI: up to 98
- TLCI: up to 96
- LED lifespan: 20,000 hours (70% lumen output)

OPTICAL GROUP

- 14.1° - 45.2° linear zoom
- Ø 175 mm Fresnel lens
- Beam shaper (2x1 ratio) with endless rotation; indexable
- Heavy frost filter insertable via DMX
- Retractable 'top hat'

COLOR & WHITE GENERATION

- 6-color LED engine
- Linear CCT (1800 K - 10000 K)
- Linear 'Green saturation'
- 100 gel filters emulation:
 - Linear balance from gel filters emulation to white
 - Linear balance between gel filters emulation
 - True color of gel filters emulation at any CCT values
- Color mixing by 6-color 'advanced' mode
- Deep blue and Deep red filters (DMX-selectable)

DIMMER

- Hi-Q Dimming technology
- Tungsten Emulation function

CONTROL

- LCD graphic display + 4 soft-keys; Auto-flip; Key-Lock function
- RDM / DMX 512 protocols
- Art-Net 4, sACN protocols available on request
- Wireless DMX available on request
- 'Standard' and 'Silent' operation modes
- Internal operating system updatable via DTS dongle firmware uploader
- Li-Fe backup battery for controlling the display settings even when the unit is not powered

DMX

- 5 DMX modes:
 - 1. CCT (default)
 - 2. Advanced
 - 3. Basic
 - 4. Expo
 - 5. CMY Emulation

PAN & TILT

- Pan 540° (1.8 sec)
- Tilt 215° (1.1 sec)
- 16-bit resolution

POWER SUPPLY

- Electronic full-range 100/240 Vac 50-60 Hz
- Power consumption: 300 W max
- Power Factor: PF >0.94

CONNECTIONS

- DMX: XLR 3-pole and 5-pole In/Out panel connectors
- Power supply: PowerCON TRUE1 In/Out panel connectors

INTERNAL SAFETY DEVICES

- Overvoltage and overtemperature circuits protection

OPERATING TEMPERATURE

-10° / 40° C

PHYSICAL

- IP20
- Weight: 21.5 Kg (47.4 lbs)
- Finishing: RAL 9003

ACCESSORIES INCLUDED

- 1 x cable with PowerCON TRUE1 female connector (code 02K0012267.0015)

PRELIMINARY INFORMATION ACCESSORIES ON REQUEST



03.LA.206 • DTS Dongle firmware uploader



0521A010 • Safety cable 3 x 600 mm
Max load 30 Kg